

Cable plug with electronic booster



Type 2511 can be combined with...



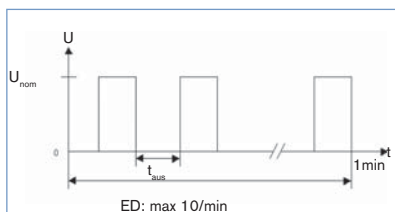
Solenoid valve with
Industrial standard Type A connection

The cable plug Type 2511 with electronic booster increases the output of single solenoid valves. The adjustable pressure range can be extended. Also the power consumption and the coil temperature can be reduced considerably e.g. with continuous operation. The use with suitable solenoid coils must be set for the respective valve and supply voltage. Please contact your nearest Buerkert sales office for help in this respect.

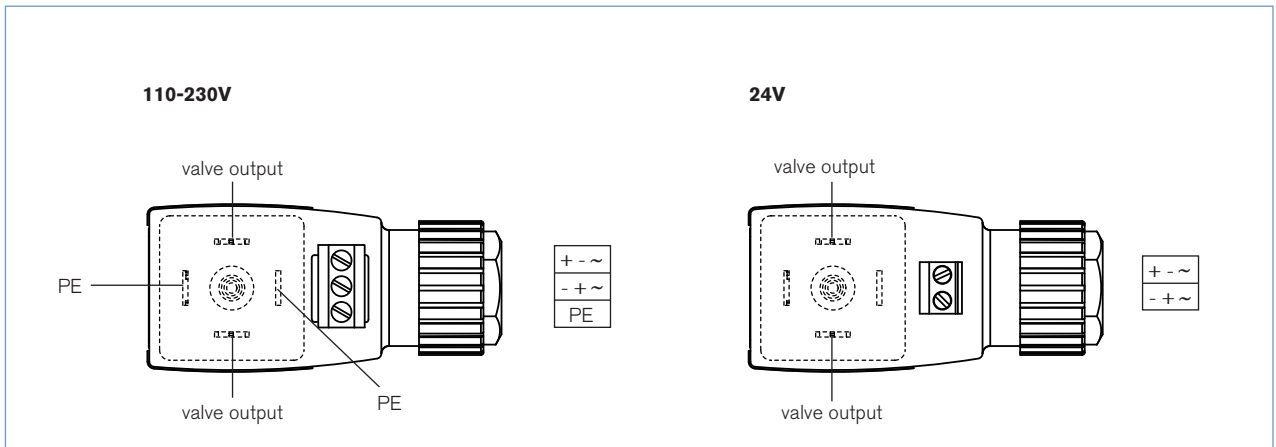
The high switching power is produced by over-excitation. After switching the valve electronic decreases to a small holding capacity. The 24V DC version automatically detects the switching point and changes to the phase with reduced performance, while in the other versions the over-excitation phase remains constant at 400ms. Further with the 24V version the voltage signal is displayed on an LED.

- Increased performance from Solenoid valves
- High switching power
- Version for 24V with switching point detection for reduced power consumption and LED indicator

Technical data	24V	110-230V
Body material	Polyamide	Polyamid
Body front	Ultrasound, transparent grey	Polysulfon
Contact material	Brass, galvanised silver-plated	Brass, galvanised silver-plated
Contact distance	18mm acc. to DIN EN 175301-803 (previously DIN 43650, Form A)	18mm acc. to DIN EN 175301-803 (previously DIN 43650, Form A)
Operating voltage U_{nom}	24V AC/DC Supply voltage acc. to IEC 364-4-41 (PELV)	110-230V AC/DC
Max. pull-in power	72W	72W
Pull-in time	AC: 400ms / DC: variable	400ms
Holding power	4W	4W
Max. cycles	10/min	10/min
Off-time between switching operations	min. 1s	min. 1s
Connection	2-pin terminal strip wire gauge: max. 1.5mm ² Cable diameter: 6-7mm	3-pin terminal strip wire gauge: max. 1.5mm ² Cable diameter: 6-7mm
Earth conductor	no	yes
Operating temperature	-10 to 55°C	-10 bis 55°C
Protection class	IP65	IP65
Switch point detection	AC: no / DC: yes	no
LED indicator	green	no



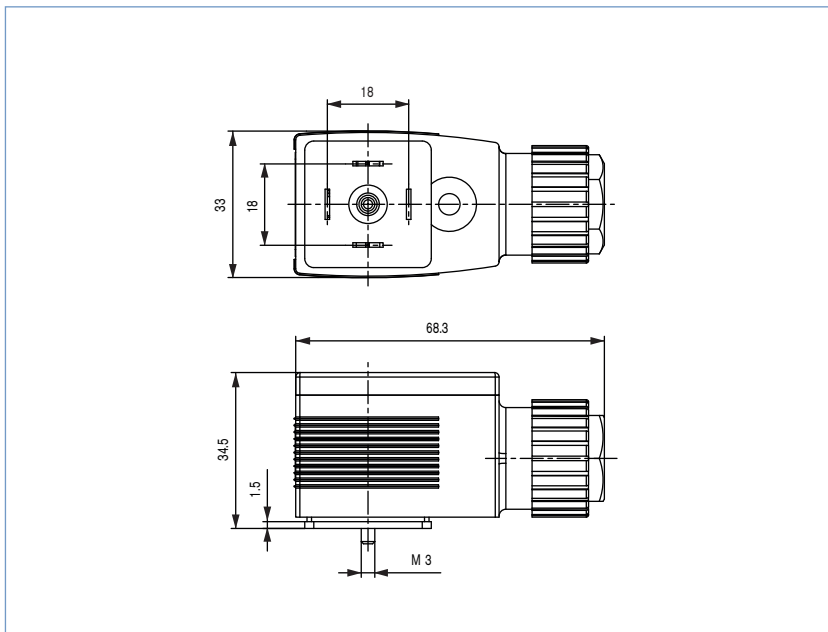
Connection diagram



Ordering chart

Operating voltage	Item no.
24V AC/DC	181 630
110-230V AC/DC	138 306

Dimensions [mm]



To find your nearest Bürkert facility, click on the orange box □

www.burkert.com

In case of special application conditions, please consult for advice.

We reserve the right to make technical changes without notice.

1111/2_EU-en_00891687