

Solenoid valve 6027



Bürkert Fluid Control Systems
Christian-Bürkert-Straße 13-17
74653 Ingelfingen
Germany
Tel. +49 (0) 7940/10-0
Fax +49 (0) 7940/10-91 204
info@burkert.com
www.burkert.com

bürkert
FLUID CONTROL SYSTEMS

Solenoid valve 6027

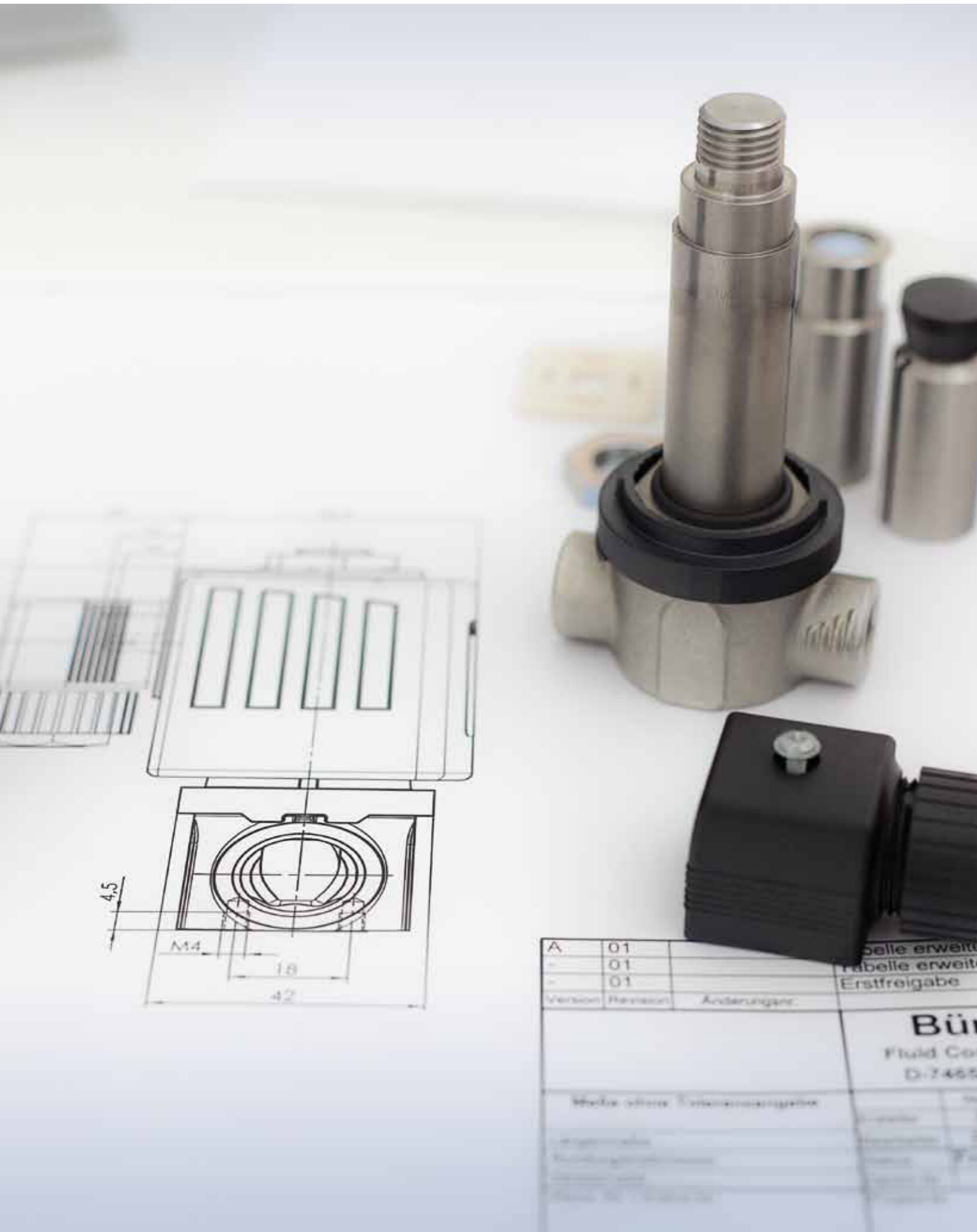
An all-rounder with special qualities

The Bürkert solenoid valve 6027 – as unspectacular as the name may sound, this valve is actually a very special product. The most obvious features of the direct-acting solenoid valve 6027 are the compact design and the high-quality materials.

On closer look one notices the high-performance AC19 coil system, which provides for dependable opening and closing even in case of fluctuating supply voltage. This basis makes our solenoid valve 6027 a genuine all-rounder.

And this is where you come into the picture. Depending on what you need in your control and regulating process, the 6027 is available in many different versions. Whether in neutral or slightly aggressive media, or also in dry gases and steam – the application-oriented product design of our solenoid valve 6027 features genuinely special qualities in performing your individual process task. And many additional application-specific details lengthen the maintenance intervals and therefore the dependability.

Other options such as NO (normally open) versions, an additionally power-enhancing coil system, certification as a safety shut-off valve for oil burners and explosion-protected versions are also available. But why not convince yourself of the special qualities of our all-rounder! You will find details on the pages that follow.



6027 core tube and fluid element of stainless steel 316L

Versions and properties at a glance

The solenoid valve 6027 was designed as a 2/2-way direct-acting valve for demanding operating conditions. Its compact design and the metals and elastomers already used in the basic version enable utilization in diverse applications. The valve opens without differential pressure and is equipped with a solid coil system with epoxy resin encapsulation.

The following versions are available:

- Normally open (NO) and normally closed (NC)
- Pressure ranges: 0 ... 100 bar
- Media temperatures: -20 (-40)...+180 °C
- Seal material combinations: EPDM, FKM or PTFE/PEEK
- Slide ring bearing
- Diameters: DN2 ... DN12
- Housing material: brass or stainless steel (316L)
- Process connections: 1/4, 3/8, 1/2 in G, NPT and RC
- Stronger, power-enhancing coil system, e.g. for 17 ... 32VDC
- IP 65 version for safe outdoor operation
- Max. Kv value: 2.0 m³/h



Stainless steel

Brass

Standard versions optimized for the application are also available, which makes it easier to choose the right valve. The following table gives an overview of the available options, certifications and certificates.

Certifications:	Certificates:	Options:	Special feature: coil system AC19
ATEX	Pharmaceutical/food	FDA up to 180 °C	Moulding material: epoxy
IEC Ex	Drinking water KTW + W270	up to 100 bar	Insulating material class H: up to 180°C
DINCerto (DIN EN ISO23553-1)*	Burnable gases Oxygen suitability	Normally open (NO)	High resistance to chemicals
UL*		Power-enhancing coil system	
CSA*			
DVGW*			

* Certifications are being prepared

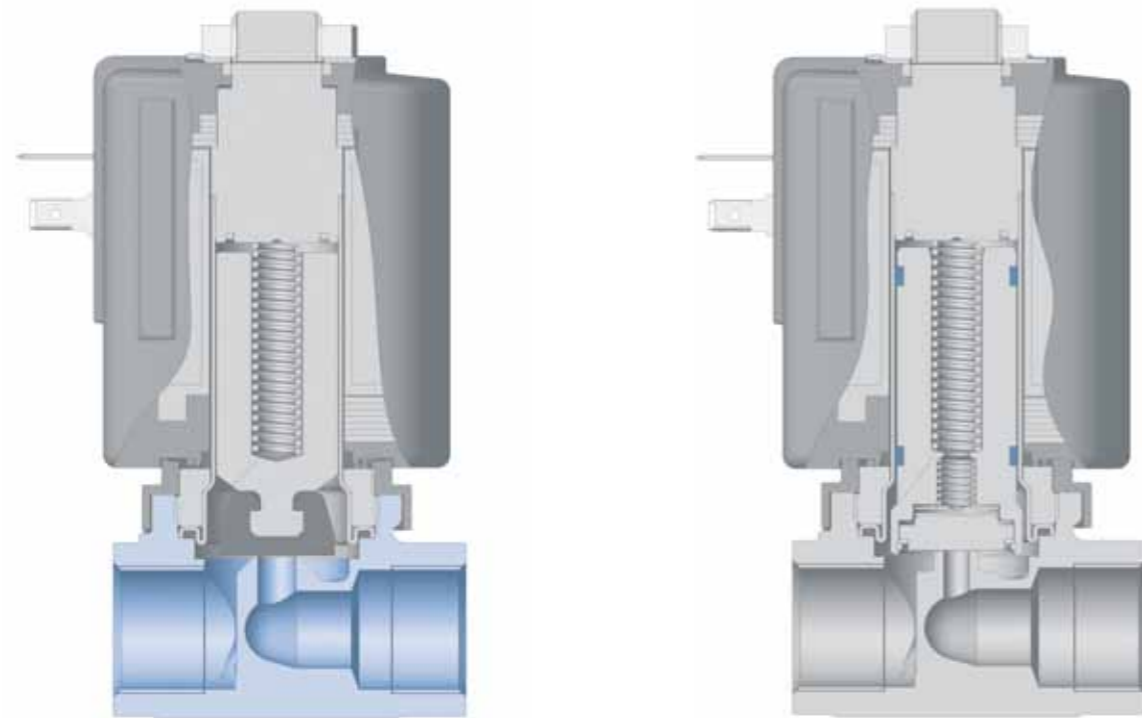


6027 coil body
with O-ring seal

The good thermal conductivity of the epoxy increases the operational reliability of the coil at 100% duty cycle.

Versions and their advantages

Fluidic design for a long life



Standard

The brass version of the valve is suitable for controlling neutral liquids and gases in pressure and vacuum applications. The special fluidic form (ramp design) of the valve body enables maximum flow rates.

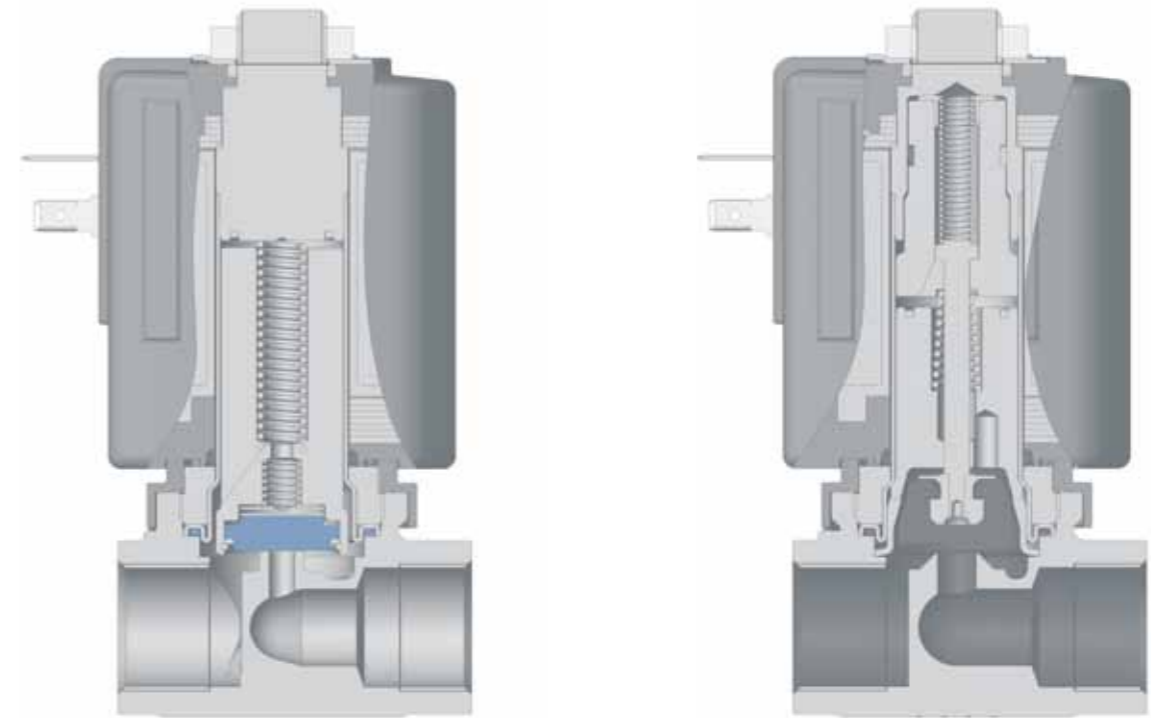
Special features

The stainless steel version can be used in mildly acidic and alkaline solutions. Special versions are available for applications in the high-vacuum range (0...600 mbar abs).

Dry gases

For applications in gases the valve is available with PTFE sliding rings, which ensure low-wear operation and long maintenance intervals even when used with dry gases. The "oil and grease-free" version can be used in oxygen applications.

Heat and media-resistant in all modes of operation



Steam and hot oils

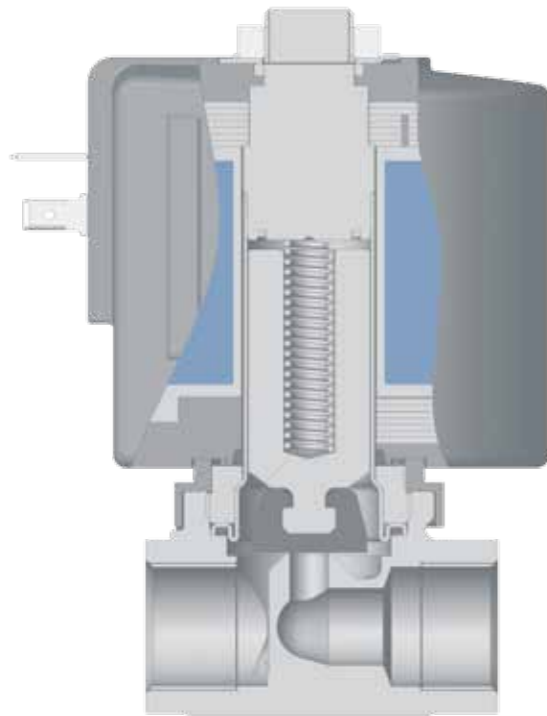
The high-quality PTFE/PEEK packing, in combination with the stainless steel body, ensures reliable functioning at steam and oil temperatures up to 180 °C.

Normally closed (NC) or Normally open (NO)

The "NO normally open" version of the 6027 is suitable as a safety valve for evacuation, pressure relief, or as a drain valve.

Versions and their advantages

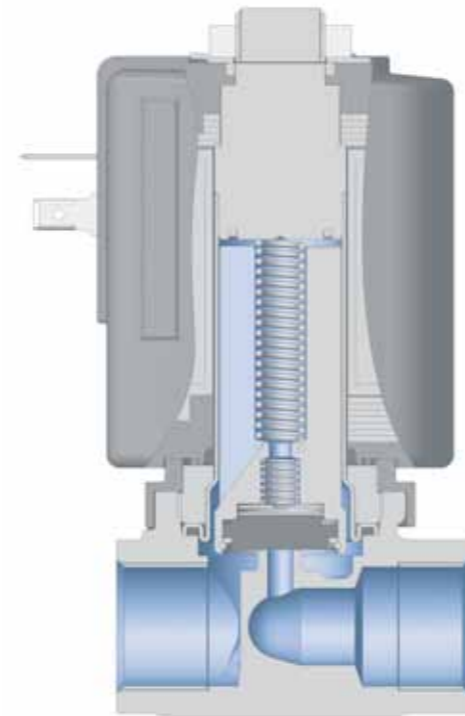
Powerful and compact



Coil system

An additional power-enhancing coil system offers the capability of increasing the switching pressure or expanding the operating voltage range. Retrofitting to the higher power L coil is possible also under process conditions.

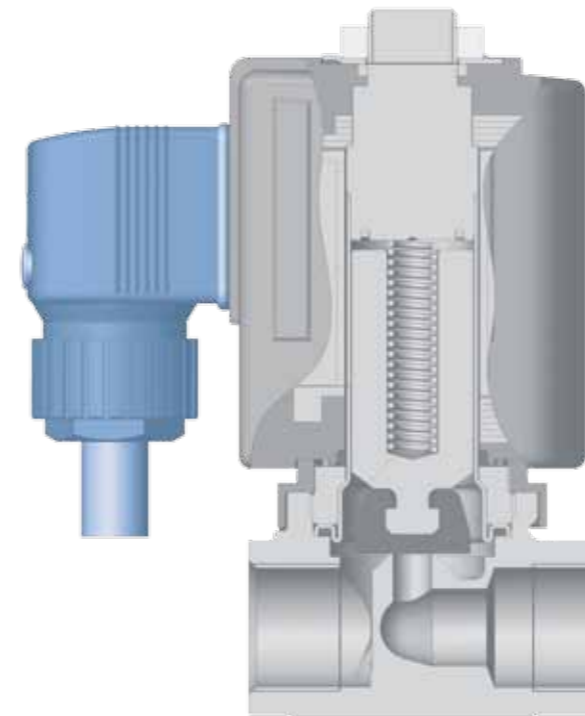
Available for standard supply voltages worldwide.



High pressures

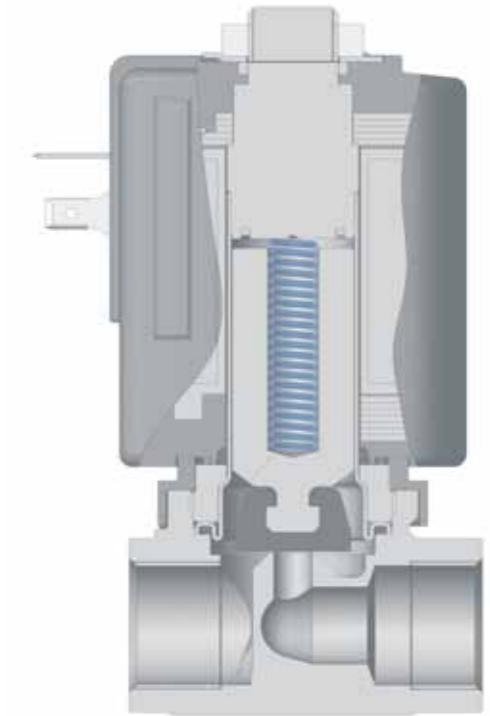
The wall thicknesses and high-quality PEEK/PTFE packing of the stainless steel version make it possible to switch at operating pressures of up to 100 bar.

Safety first



Explosion Protection

The Ex version of the coil system AC19 is also suitable for use in areas with explosive gas-air mixtures and dust-air mixtures in Zone 1. The electrical connection is encapsulated for this purpose. The plug is not detachable. The electrical connection is established by means of the moulded cable.



Safety shut-off valve in accordance with DINCERTO

This version is tested and approved in accordance with DIN EN ISO 23553-1 as a safety shut-off valve for oil burners in accordance with DINCERTO up to 30 bar. A specially designed and tested magnet core and spring assembly ensures that the valve functions in accordance with standards and fulfils the high requirements for reliability and service life.

Our sales staff will be glad to provide you with more information on these versions.

The product spectrum at a glance

Standard normally closed (NC) version												
Pressure ranges up to 30 bar , media temperatures from -10 ... 140 °C, seal material FKM												
G, NPT	Diameter (mm)	Kv value water (m ³ /h)	Pressure range (bar)		Brass			Stainless steel			Sliding ring bearing	Ex-version
					Voltage/frequency (V/Hz)			Voltage/frequency (V/Hz)			Recommended for dry gases	
			DC	AC	024/DC	230/50	120/60	024/DC	230/50	120/60		
1/4	3,0	0,28	0-30	0-25	x	x	A	x	x	A	x	x
	4,0	0,54	0-12	0-16	x	x	A	x	x	A	x	x
	5,0	0,73	0-6	0-10	x	x	A	x	x	A	x	x
	6,0	0,95	0-3	0-6	x	x	A	x	x	A	x	x
3/8	3,0	0,28	0-30	0-25	x	x	A	x	x	A	x	x
	4,0	0,54	0-12	0-16	x	x	A	x	x	A	x	x
	5,0	0,73	0-6	0-10	x	x	A	x	x	A	x	x
	6,0	0,95	0-3	0-6	x	x	A	x	x	A	x	x
1/2	8,0	1,6	0-1	0-3	x	x	A	x	x	A	x	x
	6,0	0,95	0-3	0-6	x	x	A	x	x	A	x	x
	8,0	1,6	0-1	0-3	x	x	A	x	x	A	x	x
	10,0	1,8	0-0,4	0-2,0	x	x	A	x	x	A	x	x
12,0	2,0	0-0,2	0-1,2	-	-	-	x	x	A	x	x	

Standard normally open (NO)												
Pressure ranges up to 30 bar , media temperatures from -10 ... 140 °C, seal material FKM												
1/4	3,0	0,28	0-16	0-16	x	x	A	x	x	A	x	-
	4,0	0,54	0-10	0-10	x	x	A	x	x	A	x	-
3/8	6,0	0,95	0-6	0-6	x	x	A	x	x	A	x	-
1/2	8,0	1,6	0-3	0-3	x	x	A	x	x	A	x	-
	10,0	1,8	0-2	0-2	x	x	A	x	x	A	x	-

Standard normally closed (NC) brass version												
Pressure ranges up to 80 bar , media temperature -10 ... 140 °C, seal material PTFE/FKM												
G, NPT	Diameter (mm)	Kv value water (m ³ /h)	Pressure range (bar)			Voltage/frequency (V/Hz)			Slide ring bearing	Ex-version		
						Voltage/frequency (V/Hz)						
			DC	AC	DC	AC	DC	AC	DC		AC	
1/4	2,0	0,14	0-80	0-75	0-80	x	x	A	x	x	x	
	4,0	0,54	0-20	0-30	0-50	x	x	A	x	x	x	
	6,0	0,95	0-5	0-12	0-14	x	x	A	x	x	x	
3/8	6,0	0,95	0-5	0-12	0-14	x	x	A	x	x	x	
	8,0	1,6	0-1	0-5	0-6	x	x	A	x	x	x	
1/2	8,0	1,6	0-1	0-5	0-6	x	x	A	x	x	x	
	10,0	1,8	0-0,4	0-2	0-3	x	x	A	x	x	x	
	12,0	2,0	0-0,2	0-1,2	0-2	x	x	A	x	x	x	

Standard normally closed (NC) stainless steel version												
Pressure ranges up to 100 bar , media temperature -40 ... 180 °C , seal material PTFE/PEEK												
1/4	2,0	0,14	0-80	0-75	0-100	x	x	A	x	x	x	
	4,0	0,54	0-20	0-30	0-50	x	x	A	x	x	x	
3/8	6,0	0,95	0-5	0-12	0-14	x	x	A	x	x	x	
	8,0	1,6	0-1	0-5	0-6	x	x	A	x	x	x	
1/2	10,0	1,8	0-0,4	0-2	0-3	x	x	A	x	x	x	
	12,0	2,0	0-0,2	0-1,2	0-2	x	x	A	x	x	x	

x standart feature, A available on request, - not possible

Accessories: Connectors and coils

The connector 2508, available as an accessory, supplements and expands the application spectrum of the solenoid valve 6027. In addition to visualization of the switching state and various standard functions an energy-saving power-reducing version (2508 LR) is available for longer duty cycles.

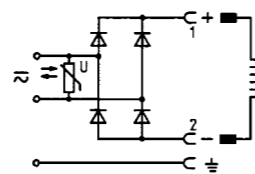
Without circuitry, 2-pin + protective conductor

Voltage	Constant current	Order no. without cable
0 – 250 V/AC/DC	max. 6 A	008 376



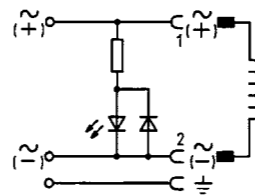
With rectifier and varistor

Voltage	Constant current	Order no. without cable
12 – 240 V/AC/DC	max. 1 A	008 374



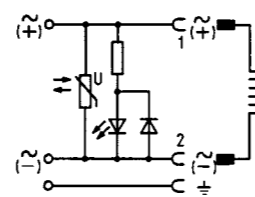
With LED

Voltage	Constant current	Order no. without cable	Order no. 3 m cable
12 – 24 V/AC/DC	max. 6 A	008 360	783 575
100 – 120 V/AC/DC	max. 6 A	008 361	–
200 – 240 V/AC/DC	max. 6 A	008 362	783 577



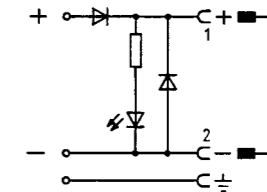
With LED and varistor

Voltage	Constant current	Order no. without cable	Order no. 3 m cable
12 – 24 V/AC/DC	max. 6 A	008 360	783 579
100 – 120 V/AC/DC	max. 6 A	008 361	783 581
200 – 240 V/AC/DC	max. 6 A	008 362	783 583



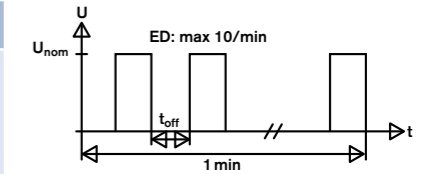
With polarity protection, recovery diode and LED

Voltage	Constant current	Order no. without cable	Order no. 3 m cable
12 – 24 V/DC	max. 1 A	008 373	783 587



With power reduction type 2508 LR

Technical data	Order no.
Operating voltage U_{nom} 12-24 VDC Supply voltage according to IEC 364-4-41 (PELV)	212 511
Max. current 1,5 A (starting), 0,4 A (holding)	
Starting power (P_{nom}) depends on valve max. 36 W at 24 V (18 W at 12 V)	
Holding power ($\frac{1}{4} \times P_{nom}$) depends on valve max. 9 W at 24 V (4,5 W at 12 V)	
Overexcitation time ca. 350 ms	
Max. duty cycle LED 10/min	
Off time t_{off} between two start-ups min. 1 sec	



See also data sheet for Type 2508

The solenoid valve 6027 is equipped with the AC19 coil system.

It is available in three versions. The standard coil (K version), a power-enhancing coil (L version) and an Ex version with a direct cable outlet. All coils are encapsulated with high-resistance epoxy and are firmly screwed to the fluid body. By loosening the screws the coil can be turned in 90° steps. The coils are also available as a replacement part set (Set 1 AC19-K, Set 1 AC19-L).

Bürkert – Close to You

Europe

Austria
Bürkert-Contromatic G.m.b.H.
Diefenbachgasse 1-3
AT-1150 Wien
Tel: +43 (0)1-894 13 33
Fax: +43 (0)1-894 13 00
E-mail: info@buerkert.at

Belgium
Bürkert Contromatic BV
Minervum 7220
NL-4817 ZJ Breda / Netherlands
Tel: +32 (0) 3 325 89 00
Fax: +32 (0) 3 325 61 61
E-mail: info@burkert.nl

Czech Rep.
Bürkert-Contromatic G.m.b.H. organizacni slozka
Krenova 35
CZ-602 00 Brno
Tel: +420 543-25 25 05
Fax: +420 543-25 25 06
E-mail: obchod@burkert.cz

Denmark
Bürkert-Contromatic A/S
Hørkær 24
DK-2730 Herlev
Tel: +45 44-50 75 00
Fax: +45 44-50 75 75
E-mail: info.dk@burkert.com

Finland
Bürkert Oy
Atomitie 5
FI-00370 Helsinki
Tel: +358 (0)207 412 550
Fax: +358 (0)207 412 555
E-mail: sales.fi@burkert.com

France
BURKERT CONTROMATIC SAS
Rue du Giessen
FR-67220 Triembach au Val
Tel: +33 (0)388-58 91 11
Fax: +33 (0)388-57 20 08
E-mail: burkert.france@burkert.com

Germany
Ingelfingen – Sales Center
Bürkert GmbH & Co. KG
Christian-Bürkert-Straße 13-17
DE-74653 Ingelfingen
Tel: +49 (0)7940/10-91 111
Fax: +49 (0)7940/10-91 448
E-mail: info@buerkert.de

Berlin
Bürkert GmbH & Co. KG
Paradiesstraße 206 b
DE-12526 Berlin
Tel: +49 (0)30/679717-0
Fax: +49 (0)30/679717-66

Hannover
Bürkert GmbH & Co. KG
Rendsburger Straße 18
DE-30659 Hannover
Tel: +49 (0)511/90276-0
Fax: +49 (0)511/90276-66

Europe, continued

Dortmund
Bürkert GmbH & Co. KG
Holzener Straße 70
DE-58708 Menden
Tel: +49 (0)2373/9681-0
Fax: +49 (0)2373/9681-50

Frankfurt
Bürkert GmbH & Co. KG
Am Flugplatz 27
DE-63329 Egelsbach
Tel: +49 (0)6103/9414-0
Fax: +49 (0)6103/9414-66

Stuttgart
Bürkert GmbH & Co. KG
Ulmer Straße 4
DE-70771 Leinfelden-Echterdingen
Tel: +49 (0)711/45110-0
Fax: +49 (0)711/45110-66

München
Bürkert GmbH & Co. KG
Eisenheimerstraße 47
DE-80687 München
Tel: +49 (0)89/829228-0
Fax: +49 (0)89/829228-50

Italy
Bürkert Contromatic Italiana S.p.A.
Centro Direzionale „Colombiolo“
Via Roma, 74
IT-20060 Cassina De' Pecchi (Mi)
Tel: +39 02-959 071
Fax: +39 02-959 07 251
E-mail: info@buerkert.it

Netherlands
Bürkert Contromatic BV
Minervum 7220
NL-4817 ZJ Breda
Tel: +31 (0) 88 12 67 300
Fax: +31 (0) 88 12 67 350
E-mail: info@burkert.nl

Norway
Bürkert-Contromatic A/S
Hvamstubben 17
NO-2013 Skjetten
Tel: +47 63-84 44 10
Fax: +47 63-84 44 55
E-mail: info@burkert.no

Poland
Bürkert-Contromatic GmbH Oddział w Polsce
Bernardynska street 14 a
PL-02-904 Warszawa
Tel: +48 (0)22-840 60 10
Fax: +48 (0)22-840 60 11
E-mail: buerkert@buerkert.pl

Portugal
Tel: +351 212 898 275
Fax: +351 212 898 276
E-mail: portugal@burkert.com

Spain
Bürkert Contromatic S.A.
Avda. Barcelona, 40
ES-08970 Sant Joan Despi, Barcelona
Tel: +34 93-477 79 80
Fax: +34 93-477 79 81
E-mail: spain@burkert.com

Europe, continued

Sweden
Bürkert-Contromatic AB
Kattsundsgatan 27
SE-211 26 Malmö
Tel: +46 (0)40-664 51 00
Fax: +46 (0)40-664 51 01
E-mail: info.se@burkert.com

Switzerland
Bürkert-Contromatic AG Schweiz
Bösch 71
CH-6331 Hünenberg ZG
Tel: +41 (0)41-785 66 66
Fax: +41 (0)41-785 66 33
E-mail: info.ch@burkert.com

Turkey
Bürkert Contromatic Akiskan Kontrol Sistemleri Ticaret A.S.
1203/8 Sok. No2-E
TR-Yenisehir, Izmir
Tel: +90 (0)232-459 53 95
Fax: +90 (0)232-459 76 94
E-mail: infoturkey@burkert.com

United Kingdom
Bürkert Contromatic Limited
Brimscombe Port Business Park
Brimscombe, Stroud
Glos, GL5 2QQ / UNITED KINGDOM
Tel: +44 (0)1453-731 353
Fax: +44 (0)1453-731 343
E-mail: sales.uk@burkert.com

Africa

South Africa
Bürkert Contromatic (Proprietary) Limited
233 Albert Amon Road
Millennium Business Park
Meadowdale,
Germiston
(Postal: P.O. Box 26260, East Rand 1462)
SOUTH AFRICA
Tel: +27 (0)11-574 60 00
Fax: +27 (0)11-454 14 77
E-mail: sales.za@burkert.com

Middle East

Bürkert-Contromatic AG,
International Middle East (RAKFTZ Branch)
PO Box 17015, RAK Free Trade Zone
Ras Al Khaimah
United Arab Emirates
Tel: +971 7207 6696
Fax: +971 7207 6695
E-mail: sales@burkert.com

Asia

China
Burkert Contromatic (Suzhou) Co. Ltd.
Systemhaus
Building No. 5, No.128 Fangzhou Road
SIP Suzhou P.R. CHINA, 215024
Tel: +86 0512 6265 9230
Fax: +86 0512 6265 9773

Burkert Contromatic (Shanghai), Co., Ltd.
(logistic and warehouse for BC China)
Floor 2, block 6, 166 Mingdong Road
Pudong New District
Shanghai 201209, P.R. CHINA
Tel: +86 21-5863 9990
Fax: +86 21-5863 9968
E-mail: info.chn@burkert.com

Beijing
Bürkert Contromatic (Shanghai), Co., Ltd.
Room A 1708, Luowa Building, No.203
Er Qu Lizezhongyuan, Wangjing,
Chaoyang District
Beijing P.R. CHINA, 100102
Tel: +86 10 6439 9783, 6439 9793
Fax: +86 10 6439 9612

Chengdu
Bürkert Contromatic (Shanghai), Co., Ltd.
B zone, 2nd floor,
DongFangGuangYi office building
33, Hua Tai Road
LongTan city industrial zone, 2nd section,
East 3rd ring Rd.
Chengdu, CHINA 610051
Tel: +86 28 8425 1434, 8425 1435
Fax: +86 28 8425 1560

Guangzhou
Bürkert Contromatic (Shanghai), Co., Ltd.
4F-1, Block B, No.1 Innovation Building
No.63 Chuang Qi Road
Shilou Town, Panyu District
Guangzhou P.R. CHINA, 511447
Tel: +86 20 3927 0268, 3927 0260
Fax: +86 20 3927 0269

Shanghai
Bürkert Contromatic (Shanghai), Co., Ltd.
Room 501/502 Xin Gai Nian Mansion
No.39 Wu Zhong Road
Shanghai P.R. CHINA, 200233
Tel: +86 21 6486 5110
Fax: +86 21 6487 4815

Suzhou
Bürkert Contromatic (Shanghai), Co., Ltd.
Unit 11-12, 5th Floor, Block A
No.5 Xinghan Street
SIP Suzhou P.R. CHINA, 215021
Tel: +86-512-6265 9881
Fax: +86-512-6265 9882

Hong Kong
Bürkert Contromatic (China/HK) Limited
Unit K, 9/Floor, Kwai Shun Industrial Centre
No. 51-63 Container Port Road
Kwai Chung, N.T., HONG KONG
Tel: +852 2480 1202
Fax: +852 2418 1945
E-mail: info.hkg@burkert.com

India
Bürkert Contromatic PVT Ltd
No M6, Dr Vikram Sarabhai Instronic (VSI) Estate,
Type II, Thiruvanyur
Chennai 600 041, INDIA
Tel: +91 (0)44-2454 0100
Fax: +91 (0)44-2454 0099
E-mail: sales.in@burkert.com

Asia, continued

Japan
Bürkert Ltd.
1-12-15, Suidou, Bunkyo-ku
Tokyo 112-0005, JAPAN
Tel: +81 (0)3-5804-5020
Fax: +81 (0)3-5804-5021
E-mail: info.jp@burkert.com

Korea
Bürkert Contromatic Korea Co., Ltd.
Floor 2, Micro Office Bldg. 554-2
Gasan-Dong, Keumcheon-Gu
Seoul 153-803, KOREA
Tel: +82 (0)2-3462 5592
Fax: +82 (0)2-3462 5594
E-mail: info.kor@burkert.com

Malaysia
Bürkert Contromatic Singapore Pte Ltd
2F-1, Tingkat Kenari 6
Sungai Ara
11960 Penang, MALAYSIA
Tel: +60 (0)4-643 5008
Fax: +60 (0)4-643 7010
E-mail: info.sin@burkert.com

Philippines
Bürkert Contromatic Philippines, Inc.
8467 West Service Road, Km. 14, Sunvalley
South Superhighway, Paranaque City, 1700
Metro Manila, PHILIPPINES
Tel: +63 (0)2-7766071 / 7764384
Fax: +63 (0)2-7764382
E-mail: info.rp@burkert.com

Singapore
Bürkert Contromatic Singapore Pte Ltd
51 Ubi Avenue 1, #03-14
Paya Ubi Industrial Park
Singapore 408933, SINGAPORE
Tel: +65 6844 2233
Fax: +65 6844 3532
E-mail: info.sin@burkert.com

Taiwan
Bürkert Contromatic Taiwan Ltd.
9 F, No. 32, Chenggong Road, Sec. 1,
Nangang District
Taipei, TAIWAN 115, R.O.C.
Tel: +886 (0)2-2653 7868
Fax: +886 (0)2-2653 7968
E-mail: info.rc@burkert.com

Pacific

Australia
Bürkert Contromatic Australia Pty Ltd
Tel: 1300 888 868
Fax: 1300 888 076
E-mail: sales.au@burkert.com

Bürkert Sydney
15 Columbia Way
Norwest Business Park
Baulkham Hills NSW 2153

Bürkert Melbourne
Suite 49, UniPark
Building 4, 195 Wellington Road
Clayton VIC 3168

Bürkert Brisbane
Unit 1, 88 Brandt Street
Brisbane Technology Park
Eight Mile Plains QLD 4113

Bürkert Perth
Unit 8, 1st Floor
85 Reid Promenade
Joondalup WA 6027

Pacific, continued

South Australia
Innovation House
First Avenue
Mawson Lakes SA 5095

New Zealand
Bürkert Contromatic New Zealand Ltd
Tel: 0800 BURKERT
Fax: 0800 33 33 77
E-mail: sales.nz@burkert.com

Bürkert Auckland
44 Rennie Drive
Airport Oaks, Auckland 2022

NAFTA

Canada
Burlington Headquarters
Bürkert Contromatic Inc.
5002 South Service Road
Burlington, Ontario L7L 5Y7, CANADA
Tel: +1 905-632 30 33
Fax: +1 905-632 38 33
E-mail: sales.ca@burkert.com

Montreal Sales Center
Bürkert Contromatic Inc.
8104 Trans Canada Highway
St. Laurent, Quebec H4S 1M5, CANADA
Tel: +1 514-336 9033
Fax: +1 514-336 9034

USA
Charlotte Headquarters
Bürkert Contromatic Corp.
2915 Whitehall Park Drive, Suite 650
Charlotte, NC 28273, USA
Tel: +1 800-325 1405
Fax: +1 949-223 3198
E-mail: marketing-usa@burkert.com

West Coast Sales Facility
2572 White Road
Irvine, CA 92614, USA
Tel: +1 800-325 1405
Fax: +1 949-223 3198

Charlotte Systemhaus
2915 Whitehall Park Drive, Suite 100
Charlotte, NC 28273, USA
Tel: +1 800-325 1405
Fax: +1 949-223 3198

Engineering Division
2915 Whitehall Park Drive, Suite 200
Charlotte, NC 28273, USA
Tel: +1 800-325 1405
Fax: +1 949-223 3198

Latin America

Argentina
Bürkert-Contromatic Argentina S.A.
Uruguay 2602, Centro Uruguay Norte,
P.B. Oficina 1, (B1643KFP) Beccar,
Pcia. de Buenos Aires, ARGENTINA
Tel: +54 (0)11-5648-6350
Fax: +54 (0)11-5648-6355
E-mail: contacto.argentina@burkert.com

Brazil
Bürkert-Contromatic Brasil Ltda.
Rua Américo Brasileiro, 2069
Chacara Santo Antônio
04715-005 São Paulo - SP BRAZIL
Tel: +55 (0)11-2186 1155
Fax: +55 (0)11-2186 1165
E-mail: pedidos.brasil@burkert.com